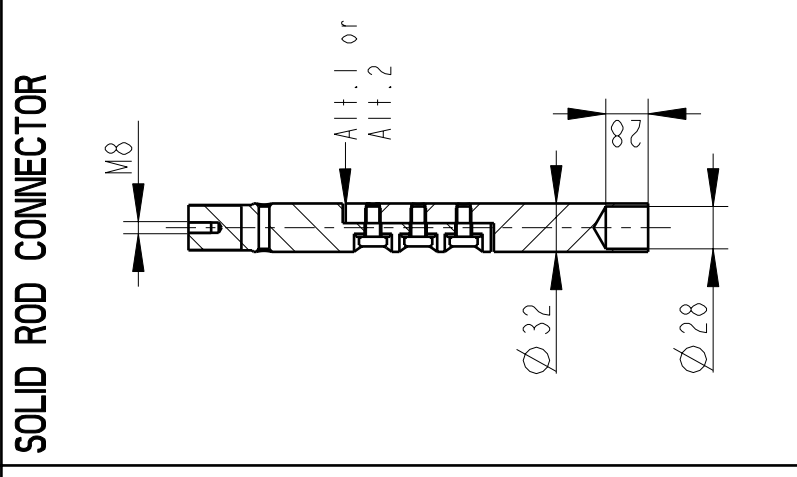
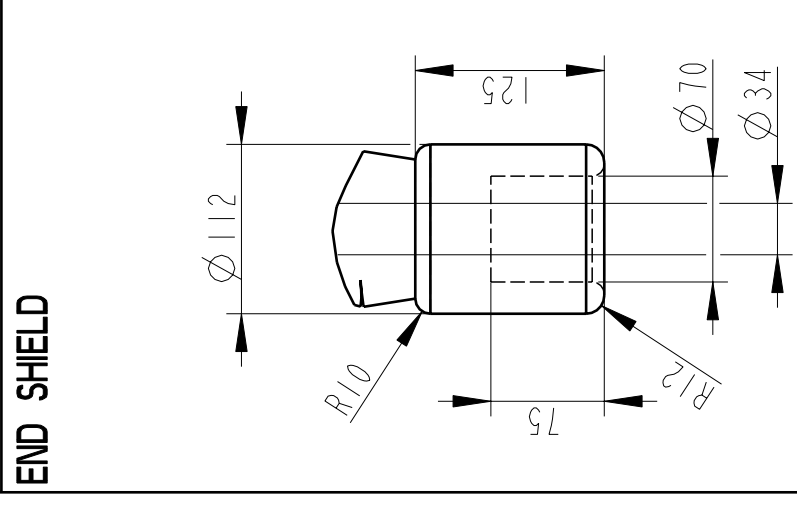


Bushing Data:

Rated Voltage	100	kV
Phase to Ground Voltage	72.5	kV
Dry Lightning Impulse 1,2/50µs	380	kV
Wet power frequency AC	150	kV
Routine test lmin dry 50Hz	162	kV
Rated Current	1250	A
Creepage Distance	2210±70	mm
Creepage Distance Protected	870	mm
Mass	43	kg



Ordering Data:

BUSHING
 LF123097-M
 -N
 COLOUR AIR INSULATOR
 BROWN
 LIGHT GREY

OUTER TERMINAL
 LF 170 002-B
 LF 170 001-B
 OTHER TYPES ON REQUEST
 Cu, Ø30, L=125
 Al, Ø30, L=125

INNER TERMINAL FOR STRANDED CABLE
For brazing
 LF 170 011-T
 LF 170 011-V
 Conductor area
 up to 285mm²
 Undrilled with pilot hole Ø5

SOLID ROD CONNECTOR
 LF 170 052-AA for Alt.1
 LF 170 052-Y for Alt.2

The solid rod can be divided either:
 Alt.1: 20mm below the bushing flange or
 Alt.2: 20mm below the upper end
 of the bottom porcelain

ABB Components **Ludvika, Sweden**

No.	U	U	U	U	U	U	U	U	U
U	U	U	U	U	U	U	U	U	U
U	U	U	U	U	U	U	U	U	U
U	U	U	U	U	U	U	U	U	U
U	U	U	U	U	U	U	U	U	U
U	U	U	U	U	U	U	U	U	U
U	U	U	U	U	U	U	U	U	U
U	U	U	U	U	U	U	U	U	U
U	U	U	U	U	U	U	U	U	U
U	U	U	U	U	U	U	U	U	U

Based on	Reg. No.	Title
Prepared	Responsible department	GOB 380-1250-0.5
LÖVnord	COM/BK	WITHOUT OIL LEVEL GAUGE
Approved	Take over department	LONG END SHIELD
Johansson	Database	
Design engineering review		
Hedlund		
Document No.		2751369-138

We reserve all rights in this document and in the information contained therein. Reproduction, use or disclosure to third parties without express authority is strictly forbidden.
 ©ABB